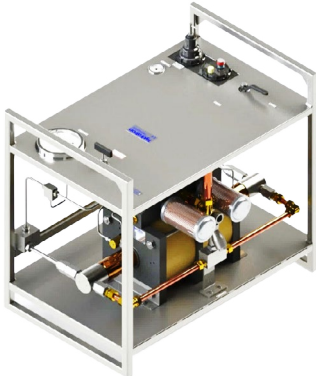


### MODEL - HPU-DHDA33X/4.1-N\*-L\*\*/OPTIONS



#### HPU-DHDA-X SERIES

Air operated, high flow, double headed-double acting hydraulic pumps for pressure testing, chemical injection and hydraulic power.

#### Features:

- Isolation chamber separates hydraulic and pneumatic sections of the pump to prevent process media entering the air drive section in the event of main seal failure.
- Infinitely variable output pressure and flow
- Holds static pressure without generating heat or consuming power.
- Standard models are suitable for oil or water applications
- Well proven and trouble free operation
- Designed for ease of maintenance
- Low cost servicing
- Robust construction

#### Performance Data

Max Rated Output Pressure	6,728psi (464bar)
Output Per Cycle	15.6 in <sup>3</sup> (256cc)
Max Flow	1,934 in <sup>3</sup> /min (31 litre/min)
Max Air Supply Pressure	100psi (7bar)
Ratio	66 : 1
Air Consumption	200 scfm (5,664 NI/min)

#### Seal options (N\*)

N* (Standard)	Nitrile (Buna-N) Main Seal and Check Valve Seals
V	Viton (FKM) Main Seal and Check Valve Seals
C	Chemraz (FFKM) Main Seal and Check Valve Seals

#### Construction

Frame and Tank	Stainless Steel
Air Motor	Anodised Aluminium / Nitrile (Buna-N) Seals
Hydraulic Cylinder	17-4PH
Isolation Chamber	Aluminium Bronze (1/4"NPT(F) vent)
Piston	17-4PH + Corrosion Resistant Chrome Finish
Outlet Port	Stainless Steel
L1** (Standard)	Brass / Copper Hydraulic Inlet, Air Inlet and Plated Steel Silencer
L2** (Optional)	Stainless Steel Hydraulic Inlet, Air Inlet and Silencer

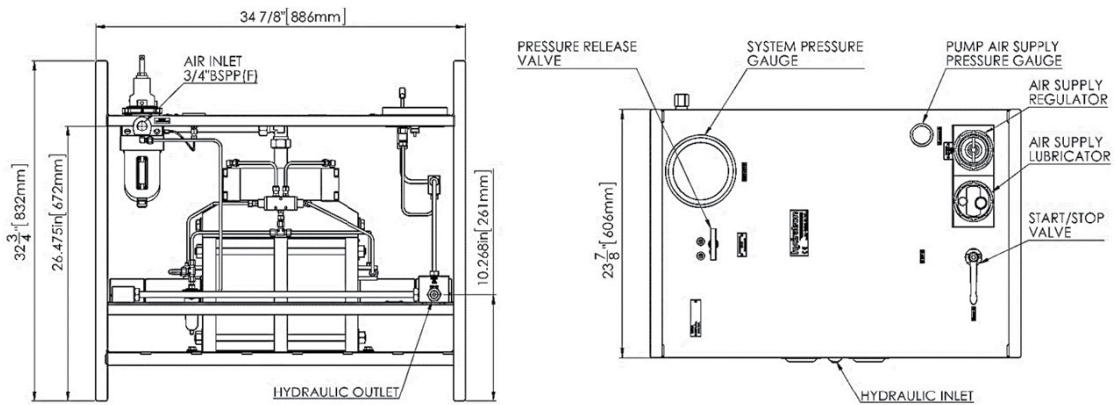
#### Connections

Hydraulic Inlet	1"NPT(F)
Hydraulic Outlet	1/2"NPT(F)
Air Inlet	3/4"BSPP(F)
Net Weight	130kg (288lb)

#### Common options (but not limited to)

/A	ATEX (94/9/EC) II 2GD c T5
/F	Panel mount digital stroke counter (non ATEX)
/G	Panel mount pneumatic stroke counter
/I (Over all dimension varies)	Isolation valve
/M	Mild steel painted frame (Painted Blue) + Stainless steel tank (if applicable to the unit)
/N	Greased for life lubricated air motor
/O (Over all dimension varies)	Single pen chart recorder complete with recorder isolation valve
/R	Relief valve
/W	Fitted with wheels
/X	Gauge protection guard

### MODEL - HPU-DHDA33X/4.1-\*L\*\*/OPTIONS GENERAL LAYOUT DRAWING



### Hydraulic Pressure Static/Stall Conditions

Air Pressure	Hydraulic Pressure
20psi (1.4bar)	1,346psi (93bar)
40psi (2.8bar)	2,692psi (186bar)
60psi (4bar)	4,036psi (278bar)
80psi (5.5bar)	5,382psi (371bar)
100psi (7bar)	6,728psi (464bar)

### Flow Curve

DHDA33 Ratio 66:1

