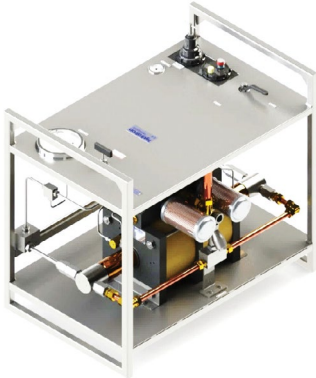


MODEL - HPU-DHDA158X/4-N*-L**/OPTIONS



HPU-DHDA-X SERIES

Air operated, high flow, double headed-double acting hydraulic pumps for pressure testing, chemical injection and hydraulic power.

Features:

- Isolation chamber separates hydraulic and pneumatic sections of the pump to prevent process media entering the air drive section in the event of main seal failure.
- Infinitely variable output pressure and flow
- Holds static pressure without generating heat or consuming power.
- Standard models are suitable for oil or water applications
- Well proven and trouble free operation
- Designed for ease of maintenance
- Low cost servicing
- Robust construction

Performance Data

Max Rated Output Pressure	30,000psi (2,069bar)
Output Per Cycle	3.4 in ³ (55cc)
Max Flow	393 in ³ /min (6.4 litre/min)
Max Air Supply Pressure	100psi (7bar)
Ratio	316 : 1
Air Consumption	200 scfm (5,664 NI/min)

Seal options (N*)

N* (Standard)	PTFE Main Seal & Nitrile (Buna-N) Check Valve Seals
V	PTFE Main Seal & Viton (FKM) Check Valve Seals
C	PTFE Main Seal & Chemraz (FFKM) Check Valve Seals. (Max Rated Output Pressure 15,000psi (1035bar))

Construction

Frame and Tank	Stainless Steel
Air Motor	Anodised Aluminium / Nitrile (Buna-N) Seals
Hydraulic Cylinder	17-4PH
Isolation Chamber	Aluminium Bronze (1/4"NPT(F) vent)
Piston	17-4PH + Corrosion Resistant Chrome Finish
Outlet Port	Stainless Steel
L1** (Standard)	Brass / Copper Hydraulic Inlet, Air Inlet and Plated Steel Silencer
L2** (Optional)	Stainless Steel Hydraulic Inlet, Air Inlet and Silencer

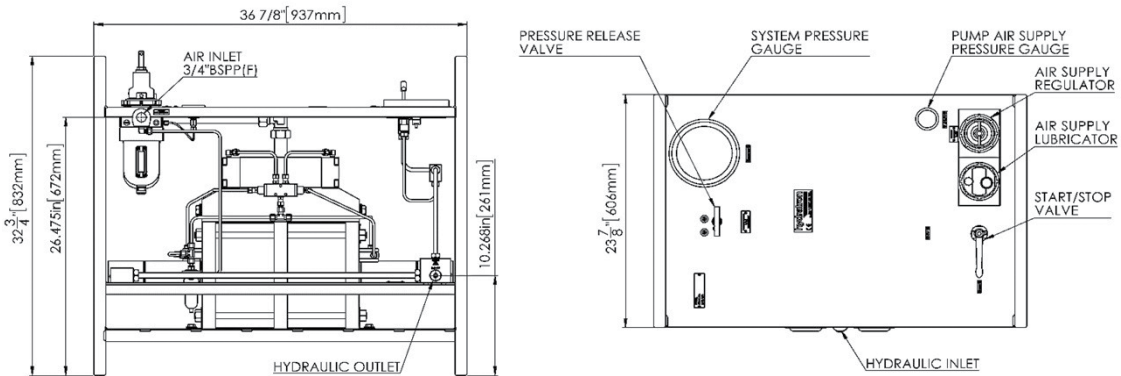
Connections

Hydraulic Inlet	1/2"NPT(F)
Hydraulic Outlet	9/16"HP
Air Inlet	3/4"BSPP(F)
Net Weight	130kg (288lb)

Common options (but not limited to)

/A	ATEX (94/9/EC) II 2GD c T5
/F	Panel mount digital stroke counter (non ATEX)
/G	Panel mount pneumatic stroke counter
/I (Over all dimension varies)	Isolation valve
/M	Mild steel painted frame (Painted Blue) + Stainless steel tank (if applicable to the unit)
/N	Greased for life lubricated air motor
/O (Over all dimension varies)	Single pen chart recorder complete with recorder isolation valve
/R	Relief valve
/W	Fitted with wheels
/X	Gauge protection guard

MODEL - HPU-DHDA158X/4-N*-L**/OPTIONS GENERAL LAYOUT DRAWING



Hydraulic Pressure Static/Stall Conditions

Max Rated Output Pressure	Max Rated Output Pressure
20psi (1.4bar)	6,320psi (436bar)
40psi (2.8bar)	12,640psi (871bar)
60psi (4bar)	18,960psi (1,307bar)
80psi (5.5bar)	25,280psi (1,743bar)
100psi (7bar)	30,000psi (2,069bar)

Flow Curve

DHDA158 Ratio 316:1

