



HOSES & REELS



Why Use Infinity Hose Reels?

Infinity hose reels offer an economical and quality solution that will improve your safety record, increase efficiencies and productivity, and reduce costly downtime.

The compact nature of Infinity hose reels allows for better hose management, resulting in a more organised and efficient workspace.

The increasing demand for hose reels is also being driven globally by workplace safety regulations and requirements. The design, functionality and innovative features of Infinity hose reels provide a more effective means of handling hoses in the workspace, as well as increasing safety and minimising damage.

Infinity is pleased to offer a vast range of reels, brackets, hose and tubing, suitable to a wide variety of jobs and industries.

*Reels do not include hose, unless stated otherwise.



Hose Reel Advantages

1. EFFICIENCY

A clean workspace is proven to be more efficient. Infinity reels help to avoid hose entanglements, resulting in a more organised workplace.

2. SAFETY

Slips, trips and accidental falls are the leading cause of work stoppage losses in the industry. Infinity hose reels reduce the risk of workplace trips and related insurance expenses.

3. LONGER LIFE TIME

The use of Infinity reels will reduce damage to your hose, increasing the product lifetime.

4. STOP LEAKAGES

The use of Infinity hose reels can reduce the threat of expensive air leakage.

5. PRODUCTIVITY

Easily locating hoses where and when you need them increases productivity. Infinity reels improve hose management, due to automatic wind-up and length control.

6. COMFORT

Adjustable length and automatic wind-up features results in a more comfortable usage with Infinity hose reels.

7. COST SAVING

Reduced hose replacement, as a result of damaged hoses, means more cost saving.



Retractable Air Hose Reel

The Infinity retractable air hose reel offers easy and safe delivery of compressed air. The fully enclosed heavy duty case is UV resistant and fitted with a heavy duty spring and swivel elbow.

Complete with rotational mounting bracket, this compact, lightweight retractable hose reel is suitable for any workshop and compliments the Infinity range.

Technical Characteristics

WORKING TEMPERATURE	-5°C / +60°C
SINGLE PACKAGING SIZE	240mm x 215mm x 95mm (LxWxH)
STEEL HOUSING	Powder painted heavy duty steel case
SPRING	Strong, steel spring. Automatically rewinds hose after catch is released
MOUNTING BRACKET	Wall or ceiling; fixed or pivoting support
STOPPER	Can adjust the length of hose remaining outside the reel when retracted
AIR INLET	Brass coupling, 360° rotation
CONNECTION	Hose connects with male fitting or quick coupling
HOSE	Included

Infinity Retractable Hose Reel 1/4"

CODE	DESCRIPTION	W.P 23 °C	B.P 23 °C
HR1/4X15M	Infinity 1/4" Retractable Air Hose Reel 15m	215 PSI	870 PSI

TECHNICAL SPECS

ØD	HOSE ID	MAX PRESSURE	H	L
12	8mm	15 bar	251	390

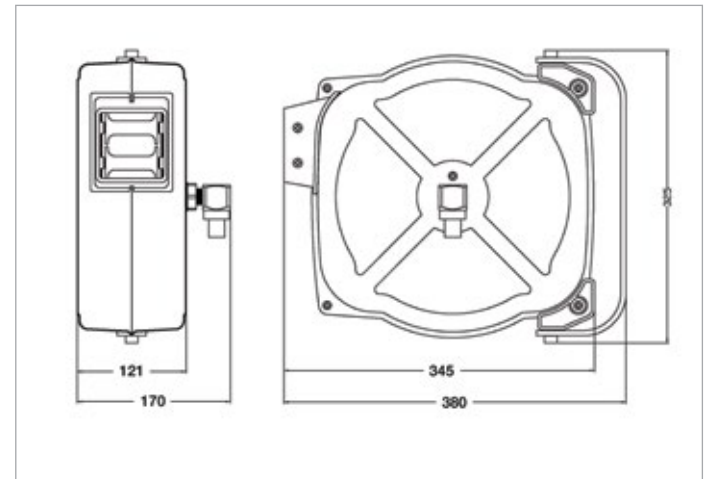


Infinity Retractable Hose Reel 3/8"

CODE	DESCRIPTION	W.P 23 °C	B.P 23 °C
HR3/8X10M	Infinity 3/8" Retractable Air Hose Reel 10m	215 PSI	870 PSI

TECHNICAL SPECS

ØD	HOSE ID	MAX PRESSURE	H	L
13.5	10mm	20bar	430	600



Spring Rewind Air Reel

The Infinity steel spring rewind air reel features a heavy duty reinforced steel construction, a ratchet or free running operation and UV stabilization. A spring protector protects the hose against damage when pulled or stretched, and the reel comes with a wall/ceiling mounted bracket.

This hose reel works with suitable pneumatic tools, and is appropriate for automatic maintenance and manufacturing facilities.

Technical Characteristics

WORKING TEMPERATURE RANGE	-5°C / +65°C	
MOUNTING	Heavy duty wall mounting swivel system	
FITTINGS	Positive crimp hose fittings	
LATCHING	Positive latching system	
QUALITY FEATURES	Impact and corrosion resistant with anti static and flame retardants	
PRODUCT FEATURES	Highest quality 'finished edge' spring steel trap Unique ratchet tensioning system Food grade approved materials Two part fully adjustable bumper	Full flow swivels and fluid paths Replaceable protective mouth guard Unique service locking pin port for added safety Easy mount drill hole pattern supplied

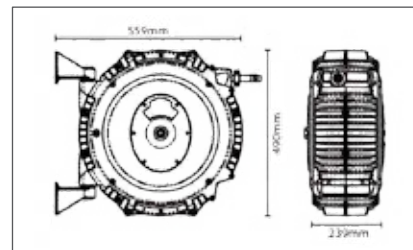
Air Reel 10mm



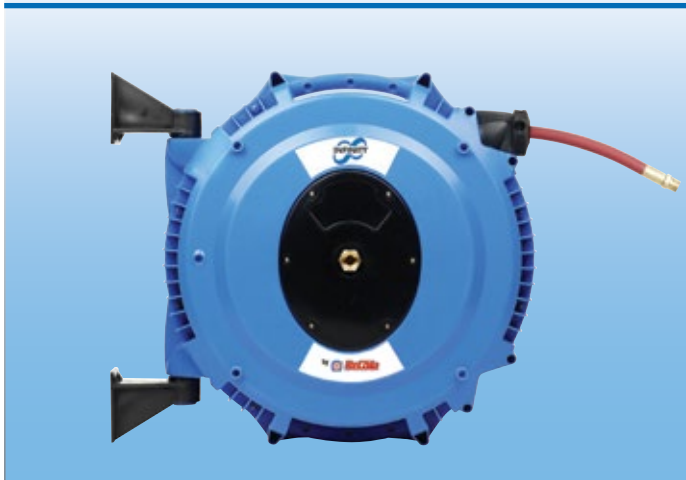
CODE	DESCRIPTION
AW1015	Infinity Air Reel 10mm x 15m

TECHNICAL SPECS

HOSE ID	HOSE LENGTH	INLET	OUTLET	MAX PSI	WEIGHT
10mm	15m	3/8" BSPF	3/8" BSPM	240	12kg



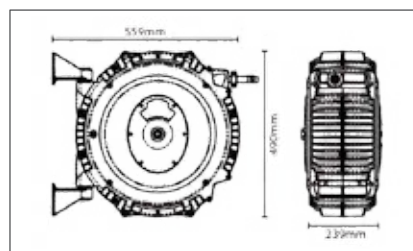
Air Reel 12mm



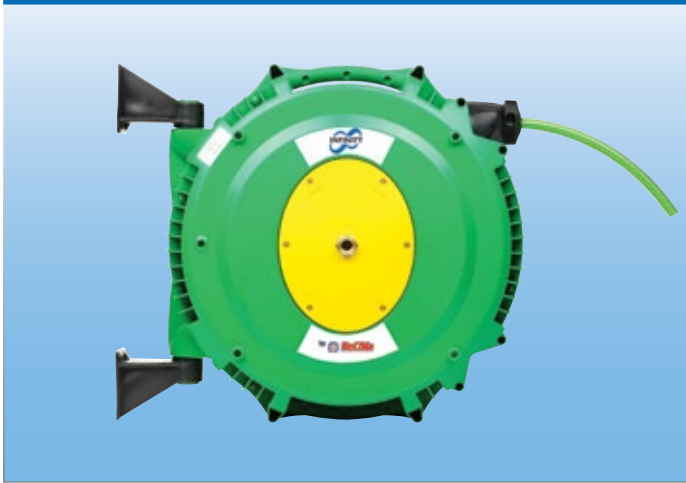
CODE	DESCRIPTION
AW1215	Infinity Air Reel 12mm x 15m

TECHNICAL SPECS

HOSE ID	HOSE LENGTH	INLET	OUTLET	MAX PSI	WEIGHT
12mm	15m	1/2" BSPF	1/2" BSPM	240	12kg



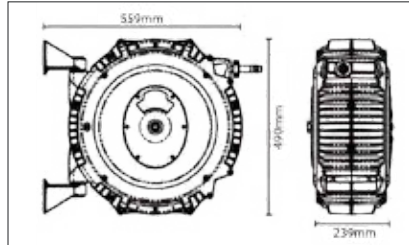
Workshop H₂O Reel



CODE	DESCRIPTION
G1218	Infinity Water Reel 12mm x 18m

TECHNICAL SPECS

HOSE ID	HOSE LENGTH	INLET	OUTLET	MAX PSI	WEIGHT
12mm	18m	3/8" BSPF	3/8" BSPM	240	12kg



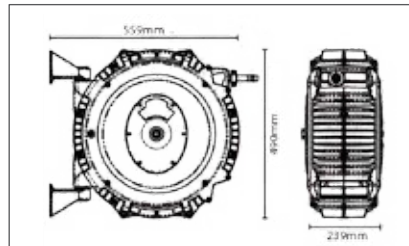
Electrical Reel



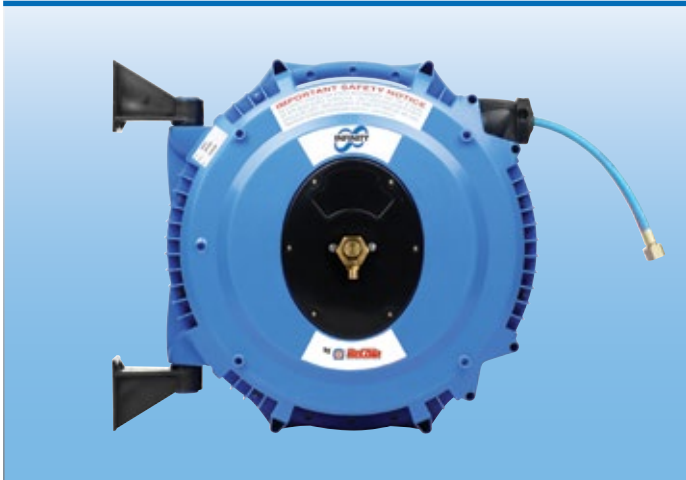
CODE	DESCRIPTION
EL2402010	Electrical Reel 12mm x 20m

TECHNICAL SPECS

CABLE	HOSE LENGTH	CORES	INLET	OUTLET	VAC	WEIGHT
12mm	20m	3	Plug	Socket	240	12kg



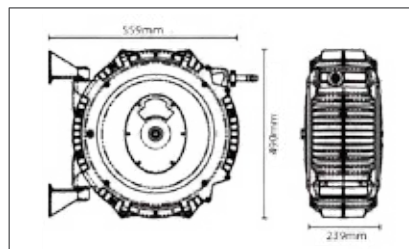
Gas Welding Reel



CODE	DESCRIPTION
AREELRET-OXY	Gas Welding Reel 5mm x 8m

TECHNICAL SPECS

HOSE ID	HOSE LENGTH	INLET	OUTLET	MAX PSI	WEIGHT
5mm	8m	5/8" UNFM	5/8" UNFF	-	12kg



Steel Spring Rewind Reel

The Infinity heavy duty steel spring rewind reels incorporate contemporary compact design and manufacturing techniques to guarantee long life and trouble free performance.

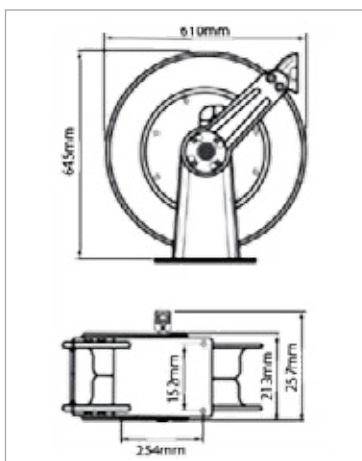
To reduce maintenance and extend the working life, this reel has a unique five in one aluminium casting, comprising of the main shaft, the latch and ratchet mechanism, the spring arbour and the goose neck.

The all-steel frame and drum construction with baked-on polyester powder coat finish combine to produce a rugged corrosion resistant product, suitable for a wide variety of heavy duty applications, including high volume compressed air.

Technical Characteristics

MOUNTING	Four position guide arm allows for wall, floor, ceiling or pit mounting	
LATCHING	Positive latching system	
QUALITY FEATURES	Impact and corrosion resistant	
PRODUCT FEATURES	Compact rugged design High flow swivels and fluid paths Ball bearing main axle bearings Heavy duty roll spun flanges	External spring canister for easy maintenance Stainless steel roller guides with ball bearings Welded frame design Stainless steel fasteners used where applicable

Steel Spring Rewind Reel 10mm



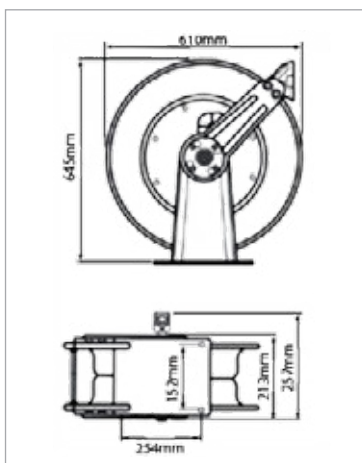
CODE
HRSR10X30

DESCRIPTION
10mm x 30m 500 psi Bare Reel

TECHNICAL SPECS		
HOSE ID	HOSE LENGTH	INLET
10mm	30m	1/2"
OUTLET	MAX PSI	WEIGHT
1/2"	500	35kg

*Hose not included

Steel Spring Rewind Reel 12mm



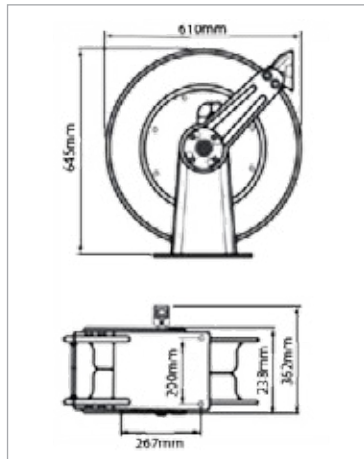
CODE
HRSR12X30

DESCRIPTION
12mm x 30m 500 psi Bare Reel

TECHNICAL SPECS		
HOSE ID	HOSE LENGTH	INLET
12mm	30m	1/2"
OUTLET	MAX PSI	WEIGHT
1/2"	500	35kg

*Hose not included

Steel Spring Rewind Reel 19mm



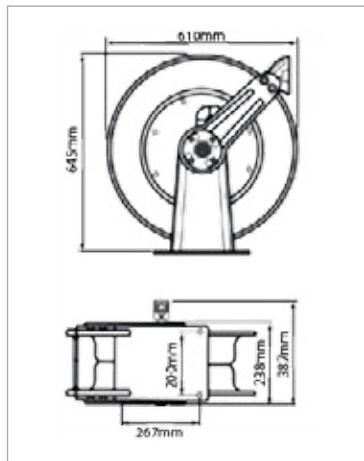
CODE
HRSR19X23

DESCRIPTION
19mm x 23m 500 psi Bare Reel

TECHNICAL SPECS		
HOSE ID	HOSE LENGTH	INLET
19mm	23m	3/4"
OUTLET	MAX PSI	WEIGHT
3/4"	500	38kg

*Hose not included

Steel Spring Rewind Reel 25mm



CODE
HRSR25X15

DESCRIPTION
25mm x 15m 500 psi Bare Reel

TECHNICAL SPECS		
HOSE ID	HOSE LENGTH	INLET
25mm	15m	1"
OUTLET	MAX PSI	WEIGHT
1"	500	35kg

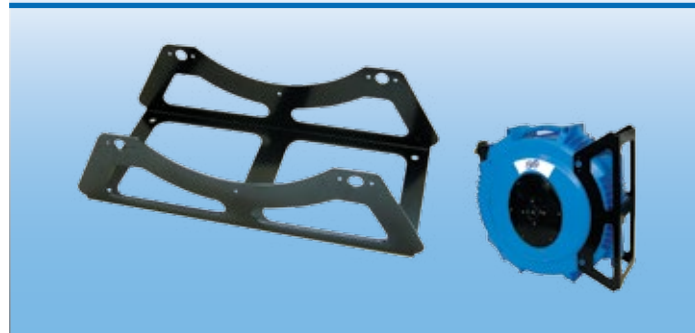
*Hose not included

Pivot Bracket SR Series



CODE	DESCRIPTION
IN-BR-PIV	80000 - D80000 SR Series Pivot Bracket

Mild Steel Bracket



CODE	DESCRIPTION
IN-BR-ST	Gen III Mild Steel Bracket

Polyurethane Recoil Hose

The polyurethane recoil hose is the ideal choice for tough and challenging air tool hose requirements.

With exceptional wear and kink resistance, this heavy duty hose has a recoil that lasts and lasts. While it is tough, it is also light and flexible, making it easier to use.

Fittings replacement is made easy with brass fittings that let you make changes on the spot. All swivel fittings come with factory applied thread sealant, resulting in a dependable, leak tight seal which is resistant to vibration loosening.

Recoil Hose Advantages

1. TOUGH FROM THE INSIDE OUT

Polyurethane is an extremely tough plastic, used everywhere from skate board wheels to auto bumpers. Our polyurethane retractable hoses are the ideal choice for tough and challenging air tool hose requirements.

2. EXCEPTIONAL WEAR AND KINK RESISTANT

While you can cut a coil hose with a sharp knife, it is at least 10 times more tear resistant than other hoses. Most oils and fuels will not affect the coil, and it is almost impossible to permanently kink. The recoil hose resists everyday abuse without leaving a dent, and spring guards are not required.

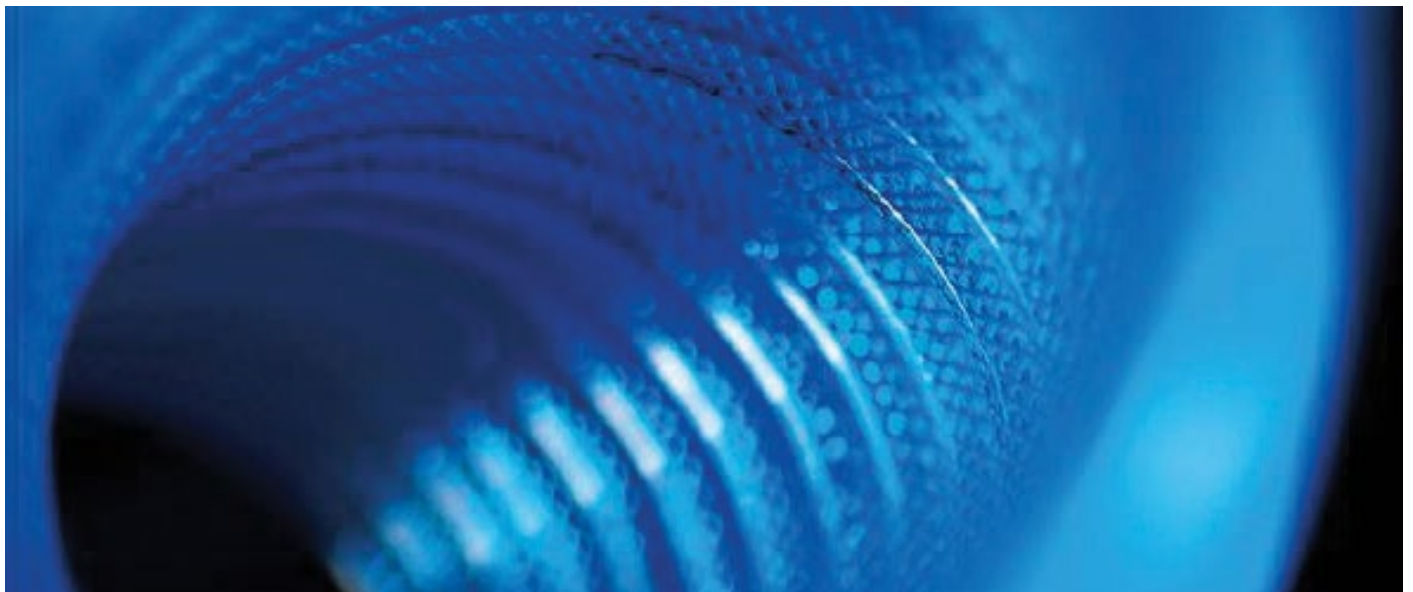
3. RECOIL THAT LASTS AND LASTS

Put our coil to the test – stretch it out to full length, give it a further strong pull, and then release. Watch the hose recoil right back, regaining it's memory immediately. The coil has a memory that can be depended on.

Infinity Polyurethane Tubing



CODE	DESCRIPTION	W.P 23° C	B.P 23° C
PURC1/4X5M	1/4" ID Recoil Hose 5m	145 PSI	450 PSI
PURC1/4X7.5M	1/4" ID Recoil Hose 7.5m	145 PSI	450 PSI
PURC1/4X10M	1/4" ID Recoil Hose 10m	145 PSI	450 PSI



Polyurethane Hose

The Infinity polyurethane hose features open mesh polyester braid reinforcement, integrated into an extremely flexible wall. This ensures a far longer service life and greater pressure capability than un-reinforced hose products.

Unlike some other hoses, this product contains no plasticizers, which can migrate and cause flow contamination and tube hardening.

Resistant to attack from moisture and fungi, UV rays, weathering and exposure, the Infinity polyurethane braided hose is suitable for outside use, and is extremely durable in rugged, demanding environments.

Application

- ✓ Transfer of air and fluids under severe conditions
- ✓ Feed and return lines
- ✓ Abrasive slurry transfer
- ✓ Granular transfer lines
- ✓ Small engine fuel lines
- ✓ Robotics control lines
- ✓ Insulating sleeves
- ✓ Lubrication lines
- ✓ Metering pumps

Features & Benefits

- ✓ **OPEN MESH POLYESTER BRAIDING**
integrated in flexible wall
- ✓ **GREATER PRESSURE CAPABILITY**
than non-reinforced polyurethane hose
- ✓ **ULTRA LIGHTWEIGHT AND EASY TO HANDLE**
- ✓ **SUPERIOR ABRASION RESISTANCE**
- ✓ **RESISTANCE**
to weathering, tearing, impacts, oils, greases & fuels.
- ✓ **GREAT FLEXIBILITY AND USER FRIENDLINESS**
even in subzero temperatures.

Infinity Polyurethane Hose



CODE	DESCRIPTION	W.P 23 °C	B.P 23 °C
PUB1/2X20M	1/2" (ID) Braided Air Hose 20m	200 PSI	800 PSI
PUB1/2X50M	1/2" (ID) Braided Air Hose 50m	200 PSI	800 PSI
PUB1/2X100M	1/2" (ID) Braided Air Hose 100m	200 PSI	800 PSI
PUB1/2X200M	1/2" (ID) Braided Air Hose 200m	200 PSI	800 PSI
PUB1/4X20M	1/4" (ID) Braided Air Hose 20m	200 PSI	800 PSI
PUB1/4X50M	1/4" (ID) Braided Air Hose 50m	200 PSI	800 PSI
PUB1/4X100M	1/4" (ID) Braided Air Hose 100m	200 PSI	800 PSI
PUB1/4X200M	1/4" (ID) Braided Air Hose 200m	200 PSI	800 PSI
PUB3/8X20M	3/8" (ID) Braided Air Hose 20m	200 PSI	800 PSI
PUB3/8X50M	3/8" (ID) Braided Air Hose 50m	200 PSI	800 PSI
PUB3/8X100M	3/8" (ID) Braided Air Hose 100m	200 PSI	800 PSI
PUB3/8X200M	3/8" (ID) Braided Air Hose 200m	200 PSI	800 PSI

Lightweight, abrasive resistant, high flow, greater flexibility, high resistant to UV, oils greases & fuels.

Polyurethane Tubing

Polyurethane tubing is usually the best choice for applications that require extensive flexing, a small bend radius or where kinking can be a problem.

Infinity polyurethane tubing uses Ether base raw material because it will not break down or be affected in any way by moisture.

Offering Ether base components means products are less expensive and generally stronger. However, applications should be limited to areas of consistent low temperatures and where high and continued flexibility is essential.

Application

- ✓ Transfer of air and fluids under severe conditions
- ✓ Feed and return lines
- ✓ Abrasive slurry transfer
- ✓ Granular transfer lines
- ✓ Small engine fuel lines
- ✓ Robotics control lines
- ✓ Insulating sleeves
- ✓ Lubrication lines
- ✓ Metering pumps

Features & Benefits

- ✓ **EXTREMELY FLEXIBLE**
A small bend radius for routing into tight places
- ✓ **ULTRA KINK RESISTANT**
Withstands abuse that would damage other plastic tubing
- ✓ **EXCELLENT MEMORY**
Tolerates repeated flexing
- ✓ **VERY ABRASION RESISTANT**
Outlasts other tubing, suitable for conveying abrasives
- ✓ **LOW GAS PERMEABILITY**
Reduces leak and contamination problems

Infinity Polyurethane Tubing



CODE	DESCRIPTION	W.P 23° C	B.P 23° C
PU4X100M	4mm (OD) x 2mm Tube 100m	260 PSI	780 PSI
PU6X200M	6mm (OD) x 4mm Tube 200m	160 PSI	460 PSI
PU8X100M	8mm (OD) x 5mm Tube 100m	188 PSI	550 PSI
PU10X100M	10mm (OD) x 6.5mm Tube 100m	160 PSI	490 PSI
PU12X100M	12mm (OD) x 8mm Tube 100m	145 PSI	435 PSI

Industrial Rubber Hose

Infinity rubber hose is a high quality, multipurpose hose that is suitable to a variety of applications such as construction and mining. Its high resistant textile reinforcement ensures it is abrasion, heat and weather resistant, making it ideal for rough industrial situations.

Features & Benefits

- ✓ **ABRASION RESISTANT**
to workshop wear and tear
- ✓ **RESISTANT TO WELDING SPLATTER**
- ✓ **COMPATIBLE FOR ABRASIVE DELIVERY FOR SAND-BLASTING**

Industrial Rubber Hose



CODE	DESCRIPTION	W.P 23 °C	B.P 23 °C
RUB3/8X20M	Infinity Industrial Rubber Hose 3/8" ID	300 PSI	900 PSI
RUB1/2X20M	Infinity Industrial Rubber Hose 1/2" ID	300 PSI	900 PSI
RUB3/4X20M	Infinity Industrial Rubber Hose 3/4" ID	300 PSI	900 PSI
RUB1X20M	Infinity Industrial Rubber Hose 1" ID	300 PSI	900 PSI

