

The DHDA series are air operated, double acting hydraulic pumps for pressure testing, chemical injection and hydraulic power. Now offering output pressures of up to 30,000 psi, Hydratron's new and expanded range of DHDA models will hold static pressure without generating heat or consuming power. Standard models are suitable for oil or water applications, with chemical service models also available. Like the DA series, the DHDA power packs are both ATEX and PED compliant, and have been designed with the engineer in mind, offering low cost servicing, trouble free operation and a robust construction.

Materials of Construction

1. AIR MOTOR

Anodized aluminium/stainless steel with nitrile seals.

2. HYDRAULIC SECTION

Aluminium bronze/stainless steel with nitrile seals.

DHDA Power Packs Specs

1. AIR CONSUMPTION:

200 scfm maximum (5665 N.Ltr/M)

2. STANDARD EQUIPMENT:

- Air filter, lubricator, pressure regulator, pressure gauge and pump start/stop valve
- Inlet fluid strainer
- 6" (150mm) dia panel mounted pressure gauge
- Pressure release valve
- All interconnecting pipework and fittings
- Robust mild steel framework painted to offshore specifications

3. OPTIONAL EQUIPMENT:

- Stainless steel framework
- Pressure isolation valve
- On board circular chart pressure recorder
- Wheels
- Stroke counter system

4. FEATURES

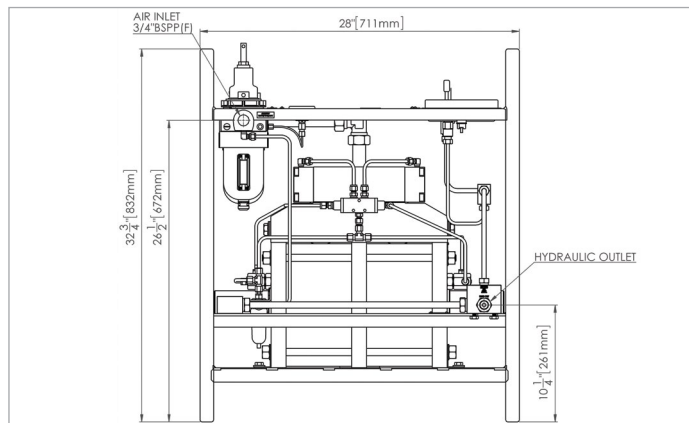
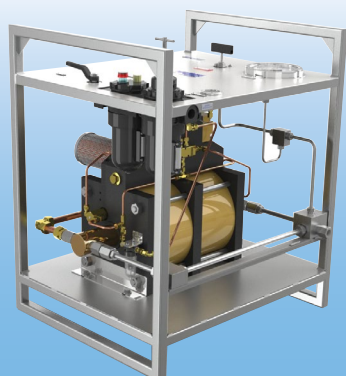
- Will hold static pressure without generating heat or consuming power.
- Suitable for oil or water applications
- Well proven and trouble free operation
- Low cost servicing
- Robust construction

TYPICAL HYDRAULIC PRESSURE - STATIC CONDITION											
AIR DRIVE		20 (1.4)		40 (2.8)		60 (4.1)		80 (5.5)		100 (6.9)	
PSI (BAR)		PSI	BAR	PSI	BAR	PSI	BAR	PSI	BAR	PSI	BAR
HYDRAULIC PRESSURE	DHDA 33	1346	93	2692	186	4036	278	5382	371	6728	464
	DHDA 66	2660	183	5320	367	7980	550	10640	734	13300	917
	DHDA 118	4740	327	9477	654	14215	980	18955	1307	23695	1634

Approximate Rate of Discharge - Air Drive 100PSI (7 bar)

OUTPUT PRESSURE		DHDA33		DHDA66		DHDA118	
PSI	BAR	INS ³ MIN	L/MIN	INS ³ MIN	L/MIN	INS ³ MIN	L/MIN
0	0	1934	31.7	992	16.3	558	9.1
1000	69	1497	24.5	816	13.4		
2000	138	1216	19.9	768	12.6		
3000	206	967	15.8	672	11.0	440	7.2
4000	276	748	12.3	624	10.2		
5000	345	592	9.7	560	9.2	378	6.2
6000	414	405	6.6	496	8.1		
8000	552			384	6.3		
10000	690			304	5.0	297	4.8
12000	828			208	3.4		
14000	965					216	3.5
17500	1207					171	2.8
21000	1448					117	1.9

Hydratron DHDA Power Packs

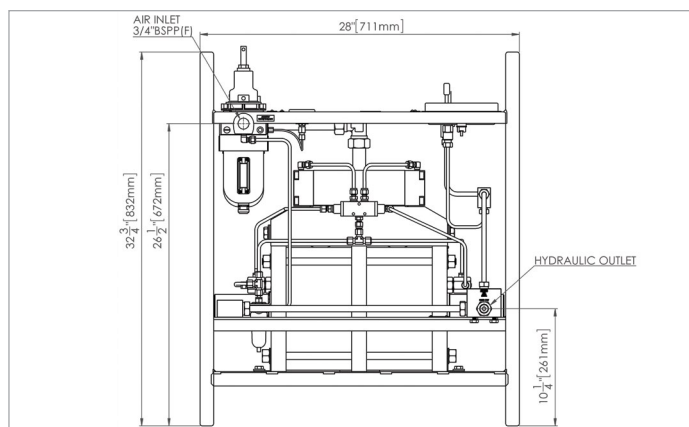
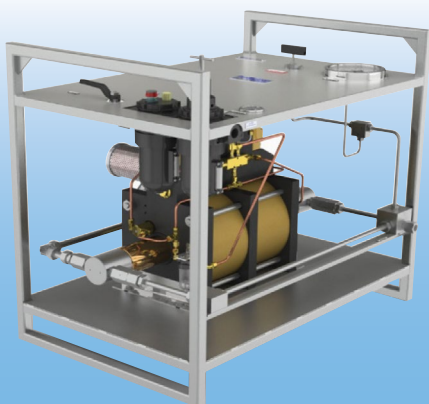


CODE	DESCRIPTION	PRESSURE
HPU-DHDA33/4-N-L1/M	DHDA33 HP unit	6728psi
HPU-DHDA66/4-N-L1/M	DHDA66 HP unit	13300psi
HPU-DHDA118/4-N-L1/M	DHDA118 HP unit	23695psi

DHDA Power Packs Benefits

- ✓ Overall dimensions (packed): 711mm x 610mm x 813mm
- ✓ Approx weight (packed): 133 Kg

Hydratron DHDA X Power Packs (for chemical use)



CODE	DESCRIPTION	PRESSURE
HPU-DHDA33X/4-N-L1/M	DHDA33X HP unit	6728psi
HPU-DHDA66X/4-N-L1/M	DHDA66X HP unit	13300psi
HPU-DHDA118X/4-N-L1/M	DHDA118X HP unit	23695psi

DHDA Power Packs for Chemical Benefits

- ✓ Overall dimensions (packed): 711mm x 610mm x 813mm
- ✓ Approx weight (packed): 133 Kg