



AIR RECEIVERS



Infinity Vertical Air Receivers

Infinity offers a popular range of vertical air receivers that are specifically designed for use in industrial compressed air systems.

These premium quality pressure vessels are exclusively made in our affiliated factory that is ISO 9001 compliant.

Save time and money when purchasing a vertical air receiver by selecting from our extensive stock of competitively priced pressure vessels that are available for immediate delivery to anywhere in Australia.



Features

- ✓ Design safety verified in accordance with Australian Standard AS 1210.
- ✓ Manufacturer's Data Report provided in accordance with Australian Standard AS 4458.
- ✓ OH&S Registered Design approved for workplace use in all Australian States and Territories.
- ✓ Industry preferred socket sizes and placement. Reinforced vessel support attachments.
- ✓ External surfaces are abrasive blast cleaned, primed and finish coated in two-pack polyurethane paint
- ✓ Dulux® Process Blue external colour indicates compressed air content in accordance with Australian Standard AS 1345.
- ✓ Individually packed in a horizontal position inside a full timber crate with plastic bag cover.
- ✓ Design optimized for ease of handling, transport, storage and installation.



150L Air Receiver



CODE	FS V150LP
PRESSURE	1,240 kPa 180psi
WEIGHT	80kg

TECHNICAL SPECS

A	B	C	D	E	F	G	H
390	214	1700	750	450	375	250	622
J	K	L	M	N	P	Q	R
1200	1/2"	3/4"	1 1/2"	150	1/2"	14	388

330L Air Receiver



CODE	FS V330LP
PRESSURE	1,220 kPa 177psi
WEIGHT	152kg

TECHNICAL SPECS

A	B	C	D	E	F	G	H
490	250	2210	780	900	405	250	825
J	K	L	M	N	P	Q	R
1650	1/2"	3/4"	1 1/2"	150	1/2"	14	505

530L Air Receiver



CODE	FS V530LP
PRESSURE	1,215 kPa 176psi
WEIGHT	233kg

TECHNICAL SPECS

A	B	C	D	E	F	G	H
640	300	2140	820	750	445	250	750
J	K	L	M	N	P	Q	R
1500	1/2"	3/4"	2"	150	1/2"	14	667

820L Air Receiver



CODE	FS V820LP
PRESSURE	1,225 kPa 178psi
WEIGHT	390kg

TECHNICAL SPECS

A	B	C	D	E	F	G	H
780	360	2215	875	720	500	250	735
J	K	L	M	N	P	Q	R
1470	3/4"	3/4"	2"	150	1/2"	18	791

1240L Air Receiver



CODE	FS V1240LP	FS V1240-1395
PRESSURE	1,100 kPa 160psi	1,395 kPa 202 psi
WEIGHT	552kg	680kg

TECHNICAL SPECS

A	B	C	D	E	F	G	H
975	500	2213	889	690	514	250	720
J	K	L	M	N	P	Q	R
1440	3/4"	1"	2"	150	1/2"	18	967

2400L Air Receiver



CODE	FS V2400LP
PRESSURE	1,080 kPa 157psi
WEIGHT	1,080kg

TECHNICAL SPECS

A	B	C	D	E	F	G	H
1160	640	2870	1015	1100	615	245	900
J	K	L	M	N	P	Q	R
1900	1"	1"	3 E	200	1"	20	1350

5000L Air Receiver

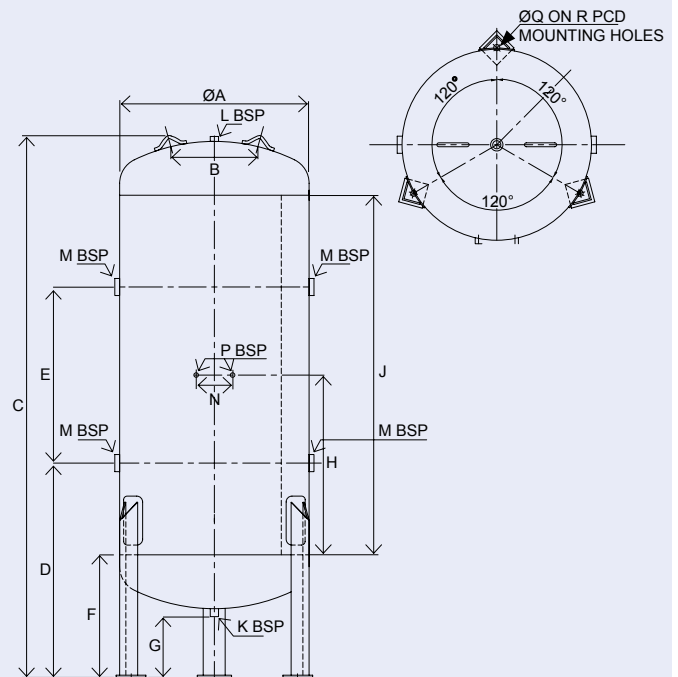


CODE	FS V5000LP
PRESSURE	1,145 kPa 166psi
WEIGHT	2,080kg

TECHNICAL SPECS

A	B	C	D	E	F	G	H
1455	820	3705	1095	1780	695	245	900
J	K	L	M	N	P	Q	R
2580	1"	1"	4E	250	1"	20	1665

Technical characteristics



- ✓ Design temperature range: 0 °C to 100 °C.
- ✓ Design fluid contents: Non harmful gas.
- ✓ Inspection openings and nameplate not shown for clarity.
- ✓ All socket threads are BSPP (British Standard Pipe Parallel).